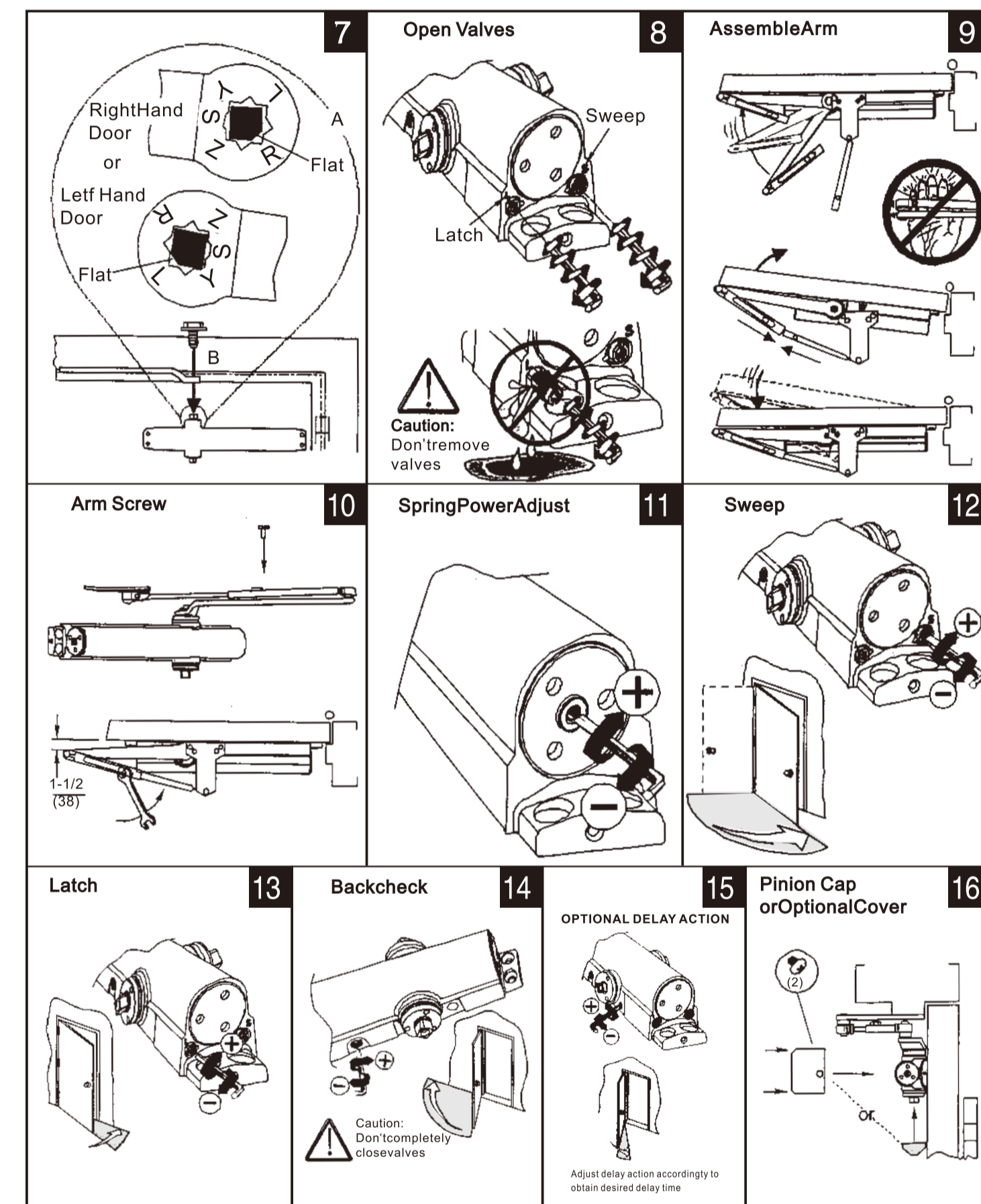


# LYNN HARDWARE

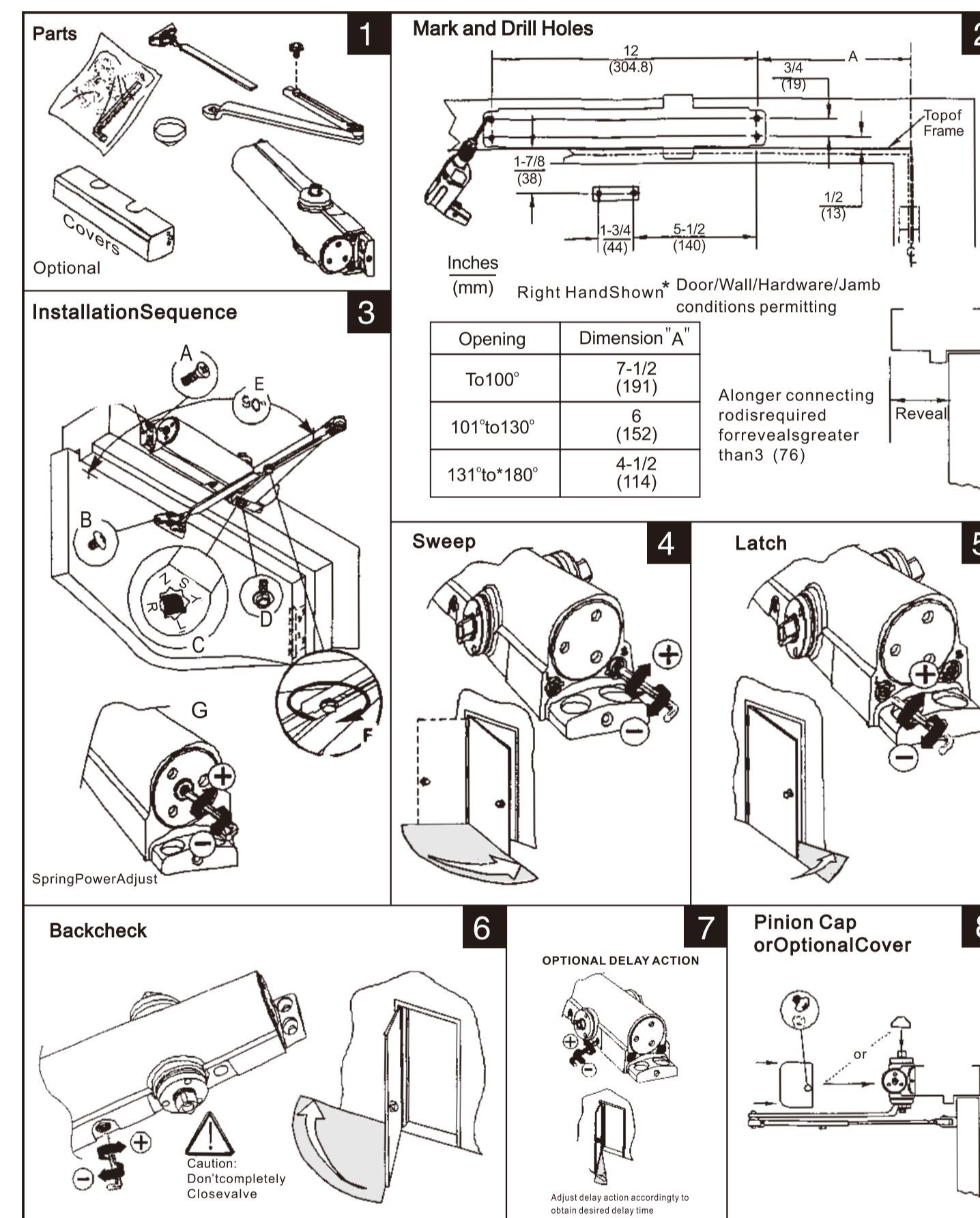
DC8016

## Non Hold Open Door Closers — Parallel Arm



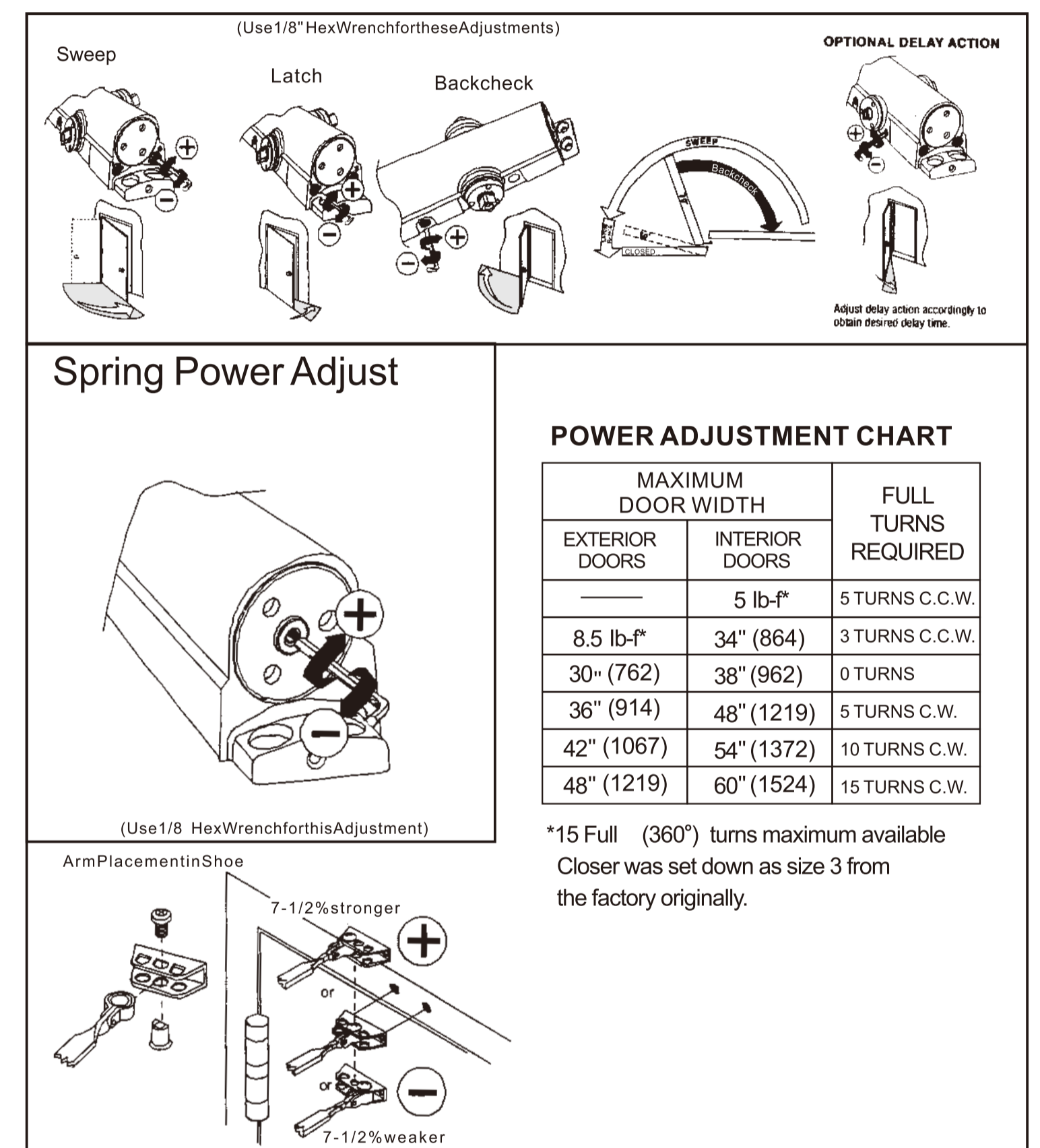
— 4 —

## Non Hold Open Door Closers — Top Jamb Arm



— 5 —

## Adjustments Page



— 6 —

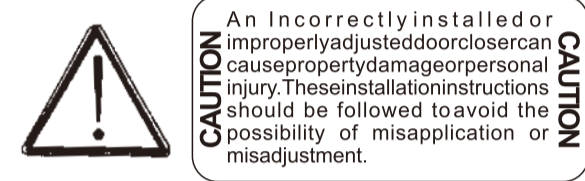
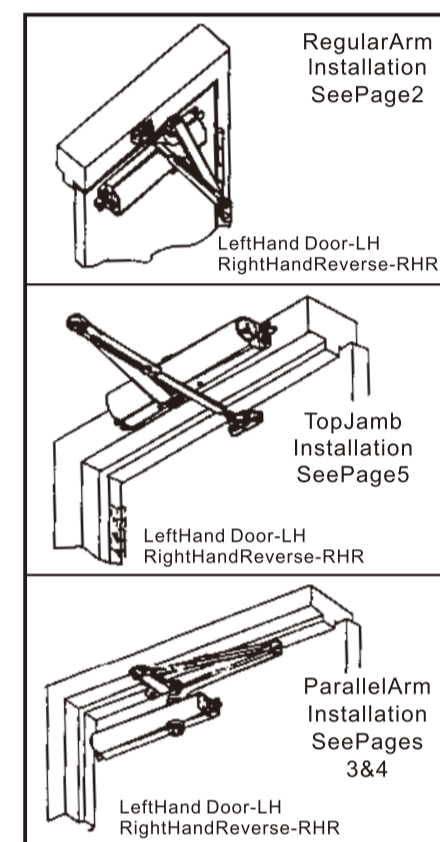
# LYNN HARDWARE

DC8016

## Installation instructions/operation instructions DOOR CLOSER

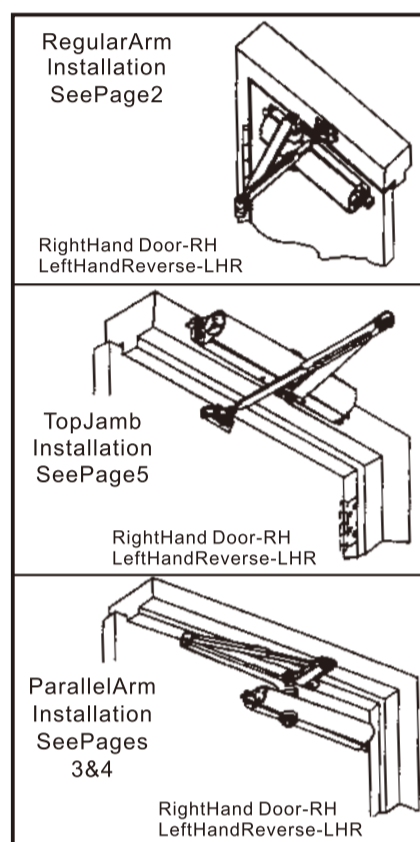
### Non Handed Door Closer

Non Hold Open Models

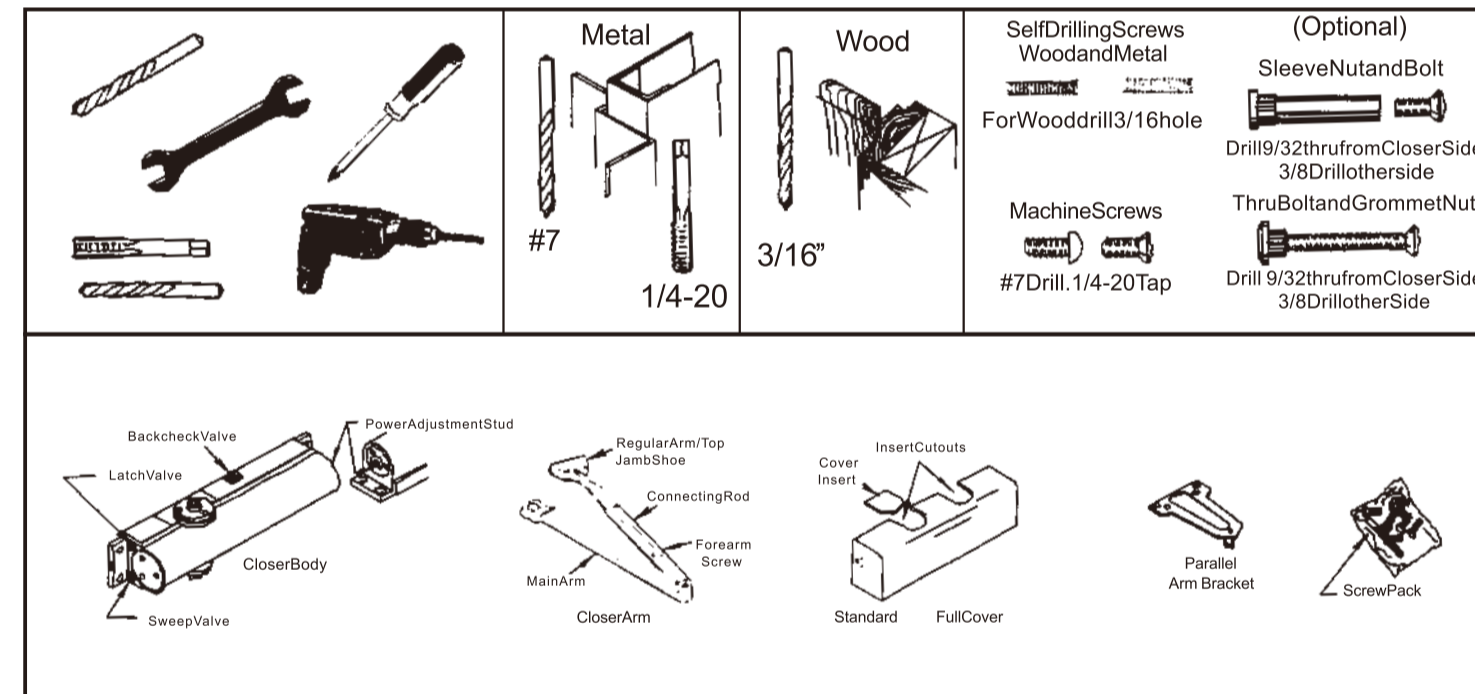


**NOTE:** For special applications a separate door and frame preparation template is packed with these instructions. Use this instruction sheet for installation sequence and closer adjustments only.

- Doors should be hung on ball bearing or Anti-friction hinges.
- A separate door stop is recommended.
- Door and frame must be properly reinforced.
- Adjust closing time speed between 3 and 7 seconds from 90° to 0°. Greater closing Times may be required for elderly or handicapped.



- These door closers should NOT be installed on the exposed side (weather side) of exterior doors.



## Non Hold Open Door Closers — Regular Arm

**1 Parts**

**2 Mark and Drill Holes**

Dimensions: 1-3/16" (30), 5-1/2" (140), 1-3/4" (44), 3/4" (19), 12" (304.8), 1-3/16" (30)

**3 Installation Sequence**

Opening	Dimension "A"	Inches (mm)
To 100"	7-1/2"	(191)
101" to 130"	6"	(152)
131" to 180"	4-1/2"	(114)

**4 Sweep**

**5 Latch**

**6 Backcheck**

**7 OPTIONAL DELAY ACTION**

**8 Pinion Cap or Optional Cover**

Caution: Don't completely close valve.

Adjust delay action accordingly to obtain desired delay time.

## Non Hold Open Door Closers — Parallel Arm

**1 Parts**

**2 Mark and Drill Holes**

Dimensions: 2-3/4" (70), 3/8" (10), 7/16" (11), 1/2" (13), 3-1/2" (89), 3/8" (19), 12" (304.8), 1-1/2"

**3 Installation Sequence**

Door Opening	A	B
To 120"	9-1/2" (241)	3-3/4" (95)
*121" to 180"	7" (178)	1-1/4" (32)

**4 Close Valves**

**5 Install Closer and Bracket**

**6 Preload Closer**

Place Arm on Spindle

Rotate

Remove Arm from Spindle